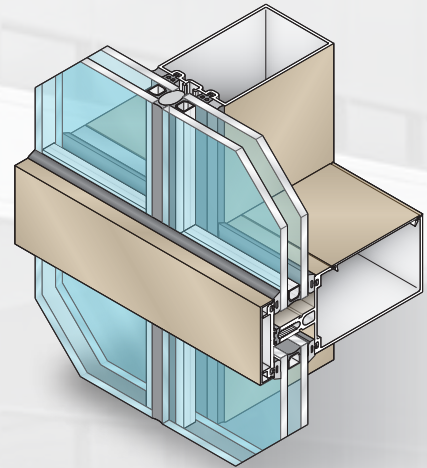


# CURTAIN WALLS

## SERIES 2100 CURTAIN WALL



- Vertically butt glazed
- 2<sup>7</sup>/<sub>8</sub>", 4" & 5" back member depths
- Exterior glazed
- Thermally improved
- Pressure bar glazing
- No exposed fasteners
- Screw spline or shear block assembly



Series 2100 is a vertically butt glazed curtain wall for low to mid-rise applications where exterior glazing is desired. Complementing the efficiency of insulated glass, Series 2100 is thermally improved by a continuous thermal spacer interlocked within the horizontal pressure plate. Dual colors can be achieved by specifying different finishes for the exterior face covers and interior mullions. A unique split vertical mullion for straight-in installation of each bay, special perimeter members for easy anchorage and the option to shop install is achieved with screw spline assembly.



